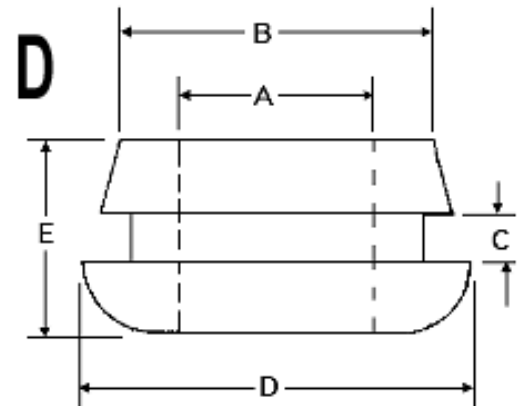
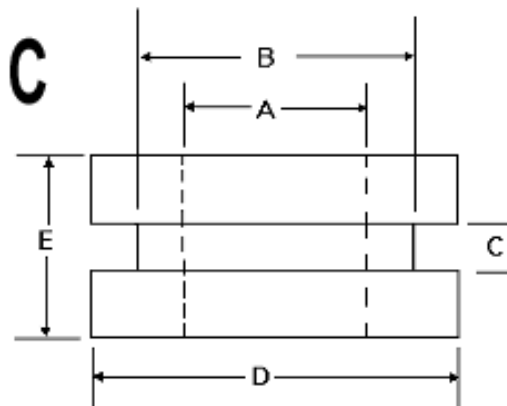
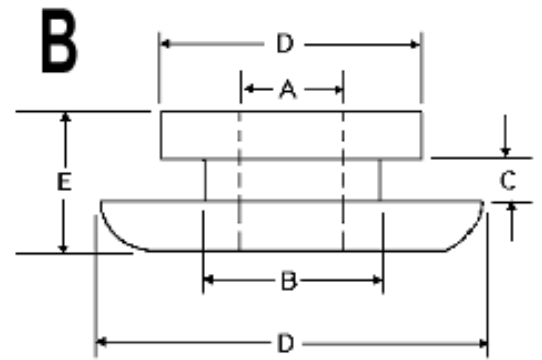
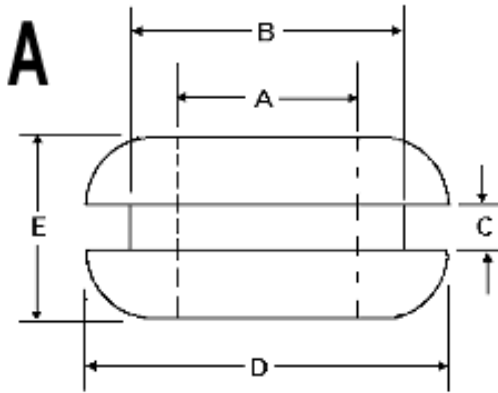


- [Home](#)
- [About](#)
- [Abbatron](#)
- [Products](#)
- [Locate](#)
- [Distributor](#)
- [or](#)
- [Representative](#)
- [Contact Us](#)
- [Request](#)
- [Information](#)
- [Site Map](#)

Grommets

- Grommets are made from Black Buna-S Synthetic Rubber(SBR), approximately 60 durometer, or Black Polyvinyl Chloride(PVC)
- Prevents wire chafing through holes in panels from 0.03125 to 1.03125" as indicated in table
- All parts indicated on this page are standard products, factory supported and distributor stocked



[Inventory Search](#)

[Cross Reference](#)

[UPS Tracking](#)

632 Arch Street, POB
726 Meadville, PA
16335 USA 814-724-
6440

[Contact Webmaster](#)

© June 6, 2005

PART NO.	ILLUS.	INSIDE DIA.	MNTG. HOLE	CHASSIS THKNS.	O.D.	THKNS.	
		A	B	C	D	E	
2185	A	1/8	3/16	1/16	5/16	3/16	
91114			1/4		11/32		
2058					3/8		
2172		3/16	5/16	7/16	7/32		
91103			7/16	1/8	9/16	3/8	
2170		1/4	3/8	1/16	5/8	1/4	
91122			11/32	1/32	1/2	5/32	
91102			9/32	3/8	5/32	5/8	5/16
91123		B	5/16	1/2	1/4	11/16	7/16
91116					1/8	3/4	3/8
91106	D				3/16	5/8	1/2
2174	A				7/16	1/16	19/32
91117		1/8	9/16	3/8			
91107		3/32	5/8	5/16			
2175	A	3/8	1/2	1/16	41/64	1/4	
91100				3/32	3/4	1/2	
91111				C	11/16	9/64	7/8-1"
91109	B	7/8	1/4	1-1/16			
2177	A	7/16	9/16	1/16	3/4	1/4	
2186		1/2	3/4		1-1/16	5/16	
2188		9/16	13/16				
2187		5/8	7/8	1-1/8			
2189		3/4		1/32	1"	5/32	
91112		49/64	1-3/32	1/16	1-5/8	5/16	